



QUICK SPECS

Scan code for full specifications.

TORQUE RANGE

200 – 3,000 ft.-lbs. / 271 – 4067 Nm

WEIGHT (WITH BATTERY)

9.58 – 15.45 lbs. / 4.35 – 7.01 kg

SQUARE DRIVE

3/4 in. - 1 in.

LENGTH

11.9 – 14.8 in. / 302.26 – 375.92 mm

LION GUN® X

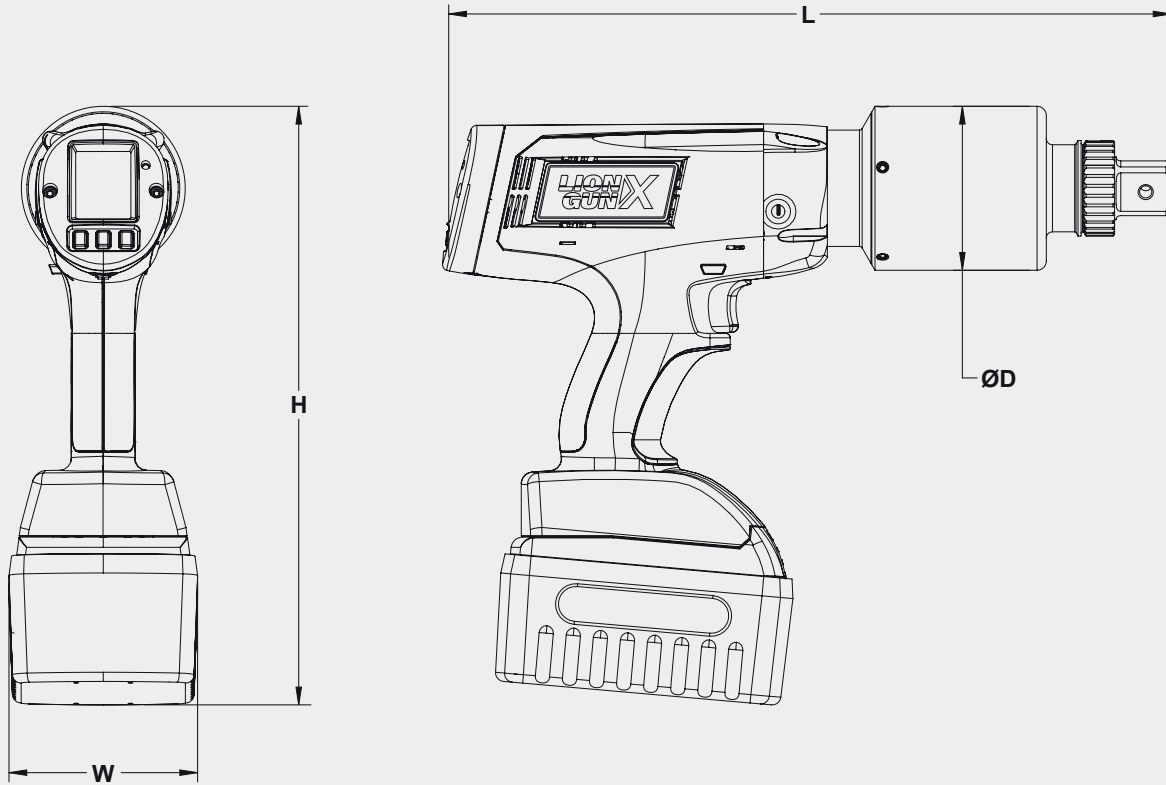
Electric Torque Tool

The fast and powerful **LION GUN X Electric Torque Tool** has a lighter weight, a smaller profile, and is simpler to operate than other electric torque tools. With a compact 36V battery, this tool delivers up to 3,000 ft.-lbs. (4067 Nm) of torque, making it one of the most powerful battery-powered tools in the HYTORC lineup. It's compatible with conventional sockets and all HYTORC square drive accessories. The LION GUN X offers built-in data recording using a USB cable and PC, or optional Bluetooth.

With more straightforward menu options and a simpler user interface, the LION GUN X is the perfect choice when it's time to just go bolting!

- POWERFUL
- EASY TO USE
- PORTABLE

FULL SPECIFICATIONS



LEGEND: H = HEIGHT W = WIDTH L = LENGTH D = DIAMETER

MODEL NUMBER	H	W	L	D	SQUARE DRIVE	WEIGHT*	TORQUE	
IMPERIAL	in.					lbs.	ft-lbs (Min)	ft-lbs (Max)
LGX-1000	11.76	3.82	11.88	2.57	3/4	9.58	200	1,000
LGX-3000	11.96	3.82	14.77	3.33	1	15.45	500	3,000
METRIC	mm				in.	kg	Nm (Min)	Nm (Max)
LGX-1000	300	97	302	65	3/4	4.35	271	1356
LGX-3000	305	97	376	85	1	7.01	678	4067

*with battery.

COMPLETE KIT CONTENTS

- LION GUN X Electric Torque Tool
- Storage Case
- Battery Charging System
- Side Handle
- Reaction Arm
- 36V Battery
- Operations Manual
- Calibration Certificate

HYTORC owns all content, copyrights, trademarks and patents in this document. © 2023 HYTORC. Any unauthorized use or distribution of any material from this document is strictly prohibited.



Headquarters:
Via Avigliana, 126/R 10040
Almese (TO)

Contact:
011 / 935 29 34
info@hytorc-italy.com

Online:
hytorc-italy.com