



QUICK SPECS

Scan code for full specifications.

TORQUE RANGE

25 - 125 ft.-lbs. / 33 - 169 Nm

WEIGHT (WITH BATTERY)

6.85 lbs. / 3.1 kg

SQUARE DRIVE

1/2 in.

RPM

167 - 24

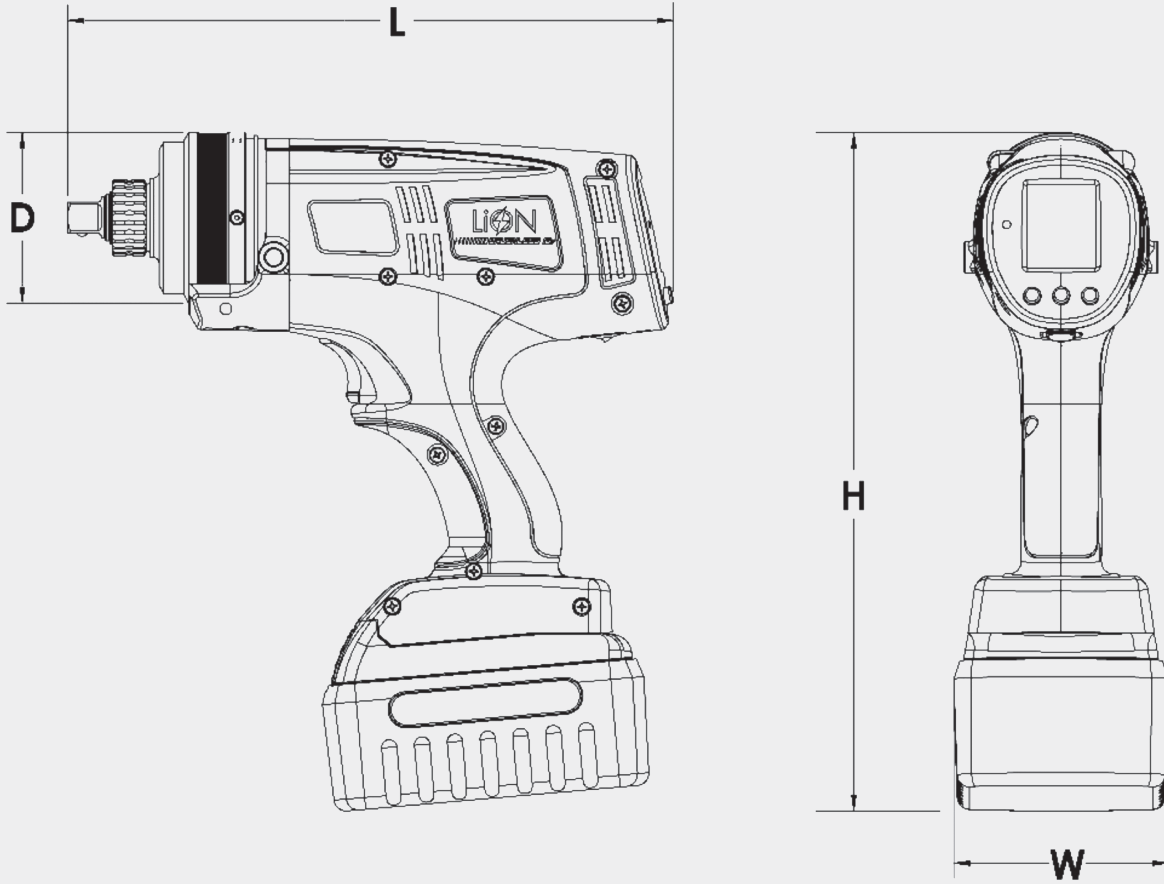
LION GUN® DUAL SPEED

Electric Torque Tool

The **LION GUN DUAL SPEED Electric Torque Tool** offers unmatched portability and convenience, making safe and accurate bolting simpler than ever. This 18V battery-powered tool, with capacity up to 125 ft.-lbs. (169 Nm), delivers industrial-grade power without the weight. Built-in data recording provides a permanent record of the work performed. This tool is compatible with conventional bolting, the HYTORC Washer, and the HYTORC Nut.

- DUAL SPEED
- ERGONOMIC DESIGN
- DATA RECORDING
- HYTORC CONNECT APP COMPATIBLE

FULL SPECIFICATIONS



LEGEND: H = HEIGHT W = WIDTH L = LENGTH D = DIAMETER

MODEL NUMBER	H	W	L	D	SQUARE DRIVE	WEIGHT*	TORQUE		RPM	
IMPERIAL	in.					lbs.	ft-lbs (Min)	ft-lbs (Max)	High	Low
LIONGUN-.125-BSM-DS	10.94	3.46	9.78	2.76	1/2	6.85	25	125	167	24
METRIC	mm				in.	kg	Nm (Min)	Nm (Max)	High	Low
LIONGUN-.125-BSM-DS	278	88	248	70	1/2	3.1	33	169	167	24

*with battery.

COMPLETE KIT CONTENTS

- LION GUN Electric Torque Tool
- Storage Case
- Battery Charging System
- Side Handle
- Reaction Arm
- 18V Battery
- Operations Manual
- Calibration Certificate

HYTORC owns all content, copyrights, trademarks and patents in this document. © 2023 HYTORC. Any unauthorized use or distribution of any material from this document is strictly prohibited.



Headquarters:
Via Avigliana, 126/R 10040
Almese (TO)

Contact:
011 / 935 29 34
info@hytorc-italy.com

Online:
hytorc-italy.com