



QUICK SPECS

Scan code for full specifications.

TORQUE RANGE

80 - 2,290 ft.-lbs. / 108 - 3100 Nm

WEIGHT

5.07 - 20 lbs. / 2.3 - 9 kg

HEIGHT

7.4 - 10.4 in. / 188 - 265 mm

LENGTH

6.93 - 10.67 in. / 176 - 271 mm

RPM

3100 - 5600

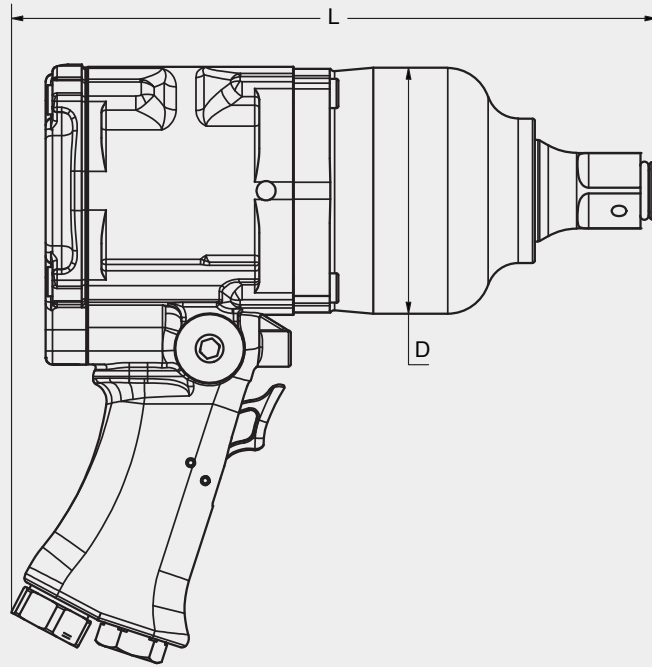
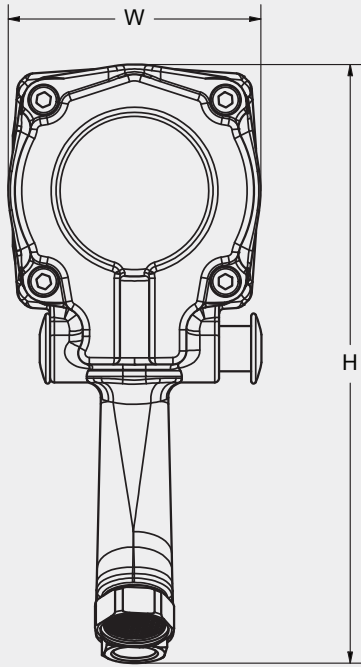
IMPACT WRENCH

Pneumatic

When speed is necessary, HYTORC Impact Wrenches are a great solution, especially for running down nuts before torquing with other HYTORC precision tools. This durable pneumatic impact wrench is a good option when low cost is the most important requirement. Built with quality in mind, it provides unmatched speed and power in any bolting situation. With its high torque output, it can quickly loosen bolts and keep your bolting job on schedule, making it an excellent addition to your torque tool arsenal.

- PORTABLE
- HIGH-QUALITY
- DURABLE

FULL SPECIFICATIONS



LEGEND: H = HEIGHT W = WIDTH L = LENGTH D = DIAMETER

MODEL NUMBER	H	W	L	D*	SQUARE DRIVE	WEIGHT	TORQUE	PSI		VIBRATION	SOUND
IMPERIAL	in.				lbs.	ft-lbs (Max)	PRESSURE/ RPM	CFM/PSI			
HY480	7.4	2.4	6.93	2.4	1/2	5.07	480	91 / 5600	17/91	5.028m/s ²	96.9dB(A)
HY960	8.9	3.4	8.6	3.4	3/4	10.8	960	91 / 4800	28/91	7.4m/s ²	92dB(A)
HY1260	9.4	3.8	8.7	3.8	3/4	13.1	1260	91 / 5400	32/91	9.4m/s ²	102dB(A)
HY2290	10.4	4.52	10.67	4.52	1	20	2290	91 / 3100	53/91	4.8m/s ²	101dB(A)

METRIC	mm				in.	kg	Nm (Max)	BAR		VIBRATION	SOUND
	PRESSURE/ RPM	CFM/PSI									
HY480	188	62	176	62	1/2	2.3	650	6.3 / 5600	17 / 6.3	5.028 m/s ²	96.9 dB(A)
HY960	226	86	218.2	86	3/4	4.9	1300	6.3 / 4800	28 / 6.3	7.4 m/s ²	92 dB(A)
HY1260	238	96	221	96	3/4	5.9	1700	6.3 / 5400	32 / 6.3	9.4 m/s ²	102 dB(A)
HY2290	265	115	271	115	1	9	3100	6.3 / 3100	53 / 6.3	4.8 m/s ²	101 dB(A)

* Measured apex to apex of gearbox with calipers and its the same measurement as width.

HYTORC owns all content, copyrights, trademarks and patents in this document. © HYTORC. Any unauthorized use or distribution of any material from this document is strictly prohibited.



Headquarters:
Via Avigliana, 126/R 10040
Almese (TO)

Contact:
011 / 935 29 34
info@hytorc-italy.com

Online:
hytorc-italy.com