



## EDGE S™ Hydraulic Torque Wrench

For general maintenance that requires high torque values and repeatable results, the EDGE S is HYTORC's workhorse. The straightforward three-moving-part design was created by HYTORC over 30 years ago and has been consistently improved upon, resulting in the most tried and tested line of hydraulic torque wrenches in the world.

### SIMPLE OPERATION AND MULTI-AXIS SWIVEL



The three-moving part design of the EDGE S reduces the number of potential repairs and keeps operating costs to a minimum. The multi-axis swivel allows for maximum positioning, flexibility, and safety of the hoses.

### REMOVABLE SQUARE DRIVE

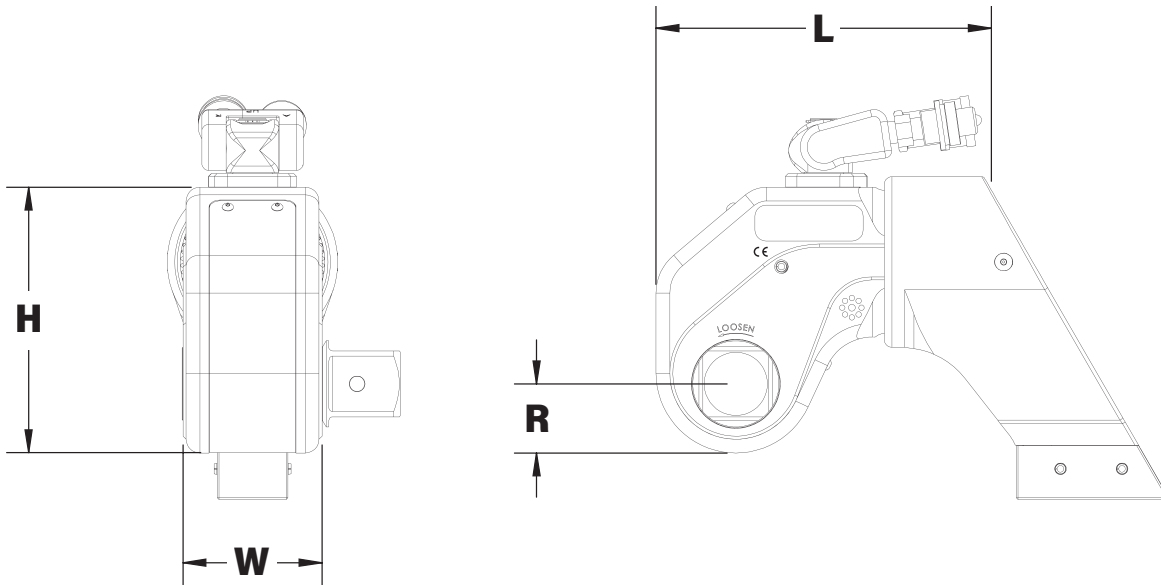


For quick and simple directional changes, the EDGE S splined square drive can be removed and installed on the opposite side with no tools. Hex Drives and other Direct Drives are also available with the EDGE S tool.

### SAFETY HANDLE



Keep your hands safe by using the included safety handle. Simple installation and able to be positioned in almost any angle. The safety handle can be installed on either the Tighten or Loosen side.



LEGEND: H = HEIGHT W = WIDTH L = LENGTH R = RADIUS

MODEL NUMBER	H	W	L	R	SQUARE DRIVE	WEIGHT	TORQUE	
<b>IMPERIAL</b>	in.					lbs.	ft-lbs (Min)	ft-lbs (Max)
EDGE-1S	3.53	1.97	4.94	0.97	3/4	4.05	178	1,257
EDGE-3S	4.71	2.63	6.40	1.31	1	8.50	443	3,097
EDGE-6S	6.04	3.18	7.61	1.57	1-1/2	19.20	893	6,241
EDGE-9S	6.58	3.57	8.59	1.86	1-1/2	20.05	1,230	8,555
EDGE-11S	7.07	3.95	9.60	1.96	1-1/2	25.00	1,615	11,291
EDGE-30S	10.10	5.64	13.71	2.79	2-1/2	64.70	4,448	29,650
<b>METRIC</b>	mm				in.	kg	Nm (Min)	Nm (Max)
EDGE-1S	90	50	125	25	3/4	1.84	241	1703
EDGE-3S	120	67	163	33	1	3.86	600	4172
EDGE-6S	153	81	193	40	1-1/2	8.73	1210	8457
EDGE-9S	167	91	221	47	1-1/2	9.11	1667	11592
EDGE-11S	180	100	244	50	1-1/2	11.36	2188	15299
EDGE-30S	257	143	348	71	2-1/2	29.41	6027	40194

The World's Most Trusted Industrial Bolting Systems

HYTORC owns all content, copyrights, trademarks and patents in this document. © 2022 HYTORC. Any unauthorized use or distribution of any material from this document is strictly prohibited.



**Headquarters:**  
Via Avigliana, 126/R 10040  
Almese (TO)

**Email:**  
info@hytorc-italy.com

**Phone:**  
011 / 935 29 34

**Online:**  
hytorc-italy.com